



# Peblar Pole & Pole Base

User and installation manual

**peblar** ROCKSOLID  
CHARGERS

# Table of contents

- 1. INTRODUCTION ..... 2**
- 1.1 Manufacturer Details ..... 2
- 2. GENERAL SAFETY INFORMATION ..... 4**
- 3. INSTALLATION ..... 4**
- 3.1 Unpacking ..... 4
- 3.2 Required tools ..... 7
- 3.3 Floor mount installation ..... 8
- 3.4 Pole Base installation ..... 9
- 3.5 Peblar charger installation ..... 11
- 4. TRANSPORTATION, STORAGE ..... 13**
- 5. OPERATION ..... 13**
- 6. INSPECTION, MAINTENANCE, AND CLEANING ..... 13**
- 7. DISMANTLING, DISABLING, AND DISPOSING ..... 14**
- 8. APPENDIX A: GLOSSARY ..... 14**

# 1. Introduction

This user manual describes the safe and correct installation, maintenance, operation and dismantling of the Peblar Pole and Pole Base.

## 1.1 Manufacturer Details

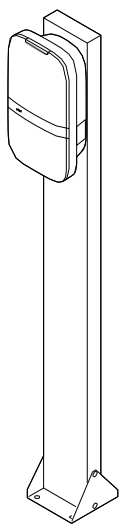
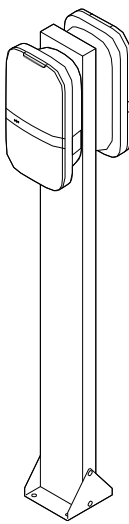
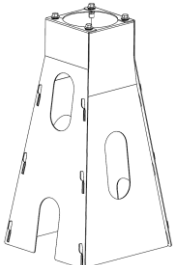
<b>Name</b>	Prodrive Technologies N.E. B.V.
<b>Postal address</b>	Science Park Eindhoven 5501
<b>Postal code</b>	5692EM
<b>City</b>	Son
<b>County</b>	The Netherlands

## 1.2 Product Information

The Peblar Pole is a robust metal pole designed specifically for facilitating the installation of one or two Peblar chargers in locations where wall mounting is not feasible.


The Peblar Pole is designed to be securely installed on concrete surfaces or onto the Pole Base, ensuring both stability and convenience.

The Peblar Pole offers two options: the Peblar Pole Single for the installation of one Peblar, and the Peblar Pole Dual for accommodating two Peblars as illustrated on the table below.




Name	Peblar Pole Single Floor Mount	Peblar Pole Dual Floor Mount	Peblar Pole Base
			
Number of chargers	1	2	-
Material	Aluminum pole and stainless-steel base		Steel (Magnelis)
Finish	Double layer powder coating, RAL 9004		-
Weight	+- 5 kg		+/- 8kg
Dimensions incl. base [H x W x D, mm]	1447x167x160		600x300x300
Base hole pattern [mm]	125 x 125 (rectangular)		

## 2. General safety information

Please carefully read and adhere to all safety warnings and instructions provided. Neglecting to follow the warnings and instructions outlined below could lead to electric shock, fire, and/or severe injury. We strongly recommend keeping this manual for future reference.

Symbol	Definition	Explanation
	<b>WARNING</b>	Potential hazardous situation which, if not avoided, could result in death or serious injury.
	<b>Attention</b>	Risk of undesired behavior of the charger.

## 3. Installation

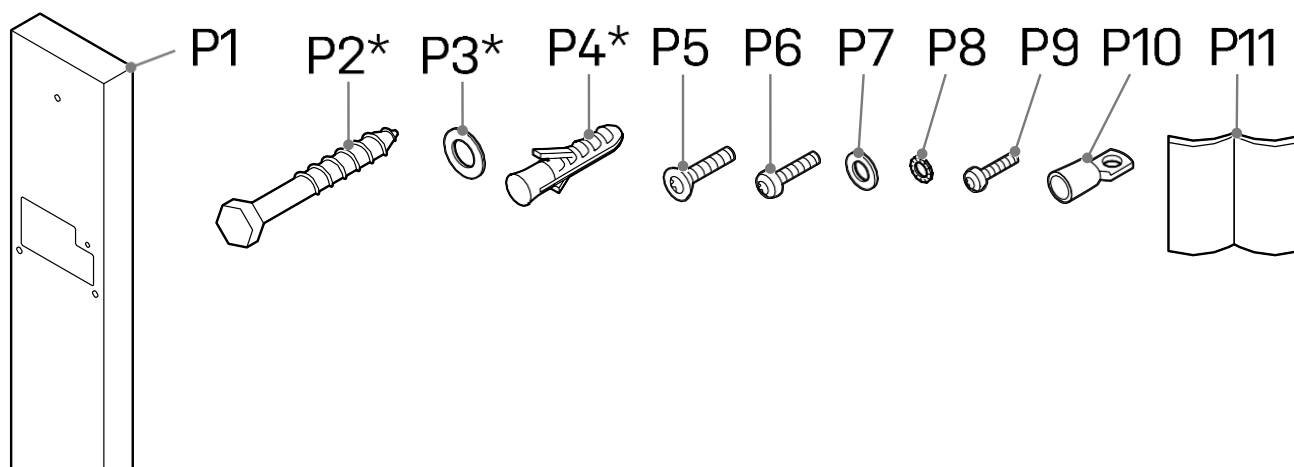
-  **WARNING:** The Peblar Pole and Pole Base must only be installed by trained and qualified personnel who have thoroughly read this manual.
  -  **WARNING:** The electrical supply to the installation cables must be switched off before installing the Peblar Pole and Pole Base until the installation is fully completed.
  -  **WARNING:** Do not install a damaged Peblar Pole or Pole Base.
- Attention:** Check local installation standards for additional requirements to install the Peblar Pole and Pole Base.

### 3.1 Unpacking

Remove the Peblar Pole and optionally the Pole Base from its packaging. Verify that the products are undamaged.

Ensure that the local regulations are followed when disposing of the packaging material. Separate the plastic and cardboard waste.

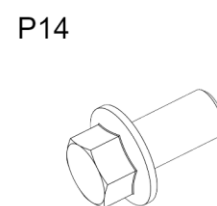
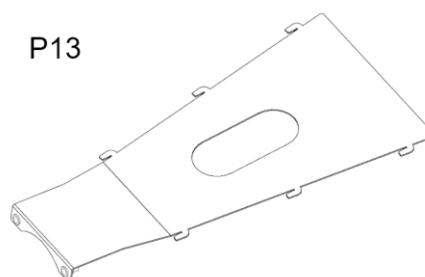
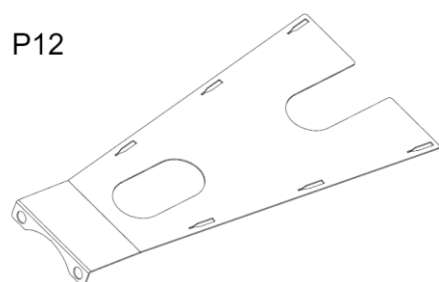
Verify the content of the Peblar Pole package:



Number	Description	Size	Quantity
<b>P1</b>	Peblar Pole	-	1
<b>P2</b>	Hexagon head anchoring bolt	8x70	4
<b>P3</b>	Plain washer for anchoring	M8	4
<b>P4</b>	Nylon anchoring plug	S10	4
<b>P5</b>	Countersunk screw for base assembly	M5x20	1 (+1*)
<b>P6</b>	Flat head screw for base assembly	M5x16	2 (+2*)
<b>P7</b>	Washer for base assembly	M6	2 (+2*)
<b>P8</b>	Serrated washer for PE assembly	M4	2 (+2*)
<b>P9</b>	Flat head screw for PE assembly	M4x12	1 (+1*)
<b>P10</b>	Cable lug for PE assembly	M4, 6 mm <sup>2</sup>	2 (+2*)
<b>P11</b>	User and installation manual	-	1

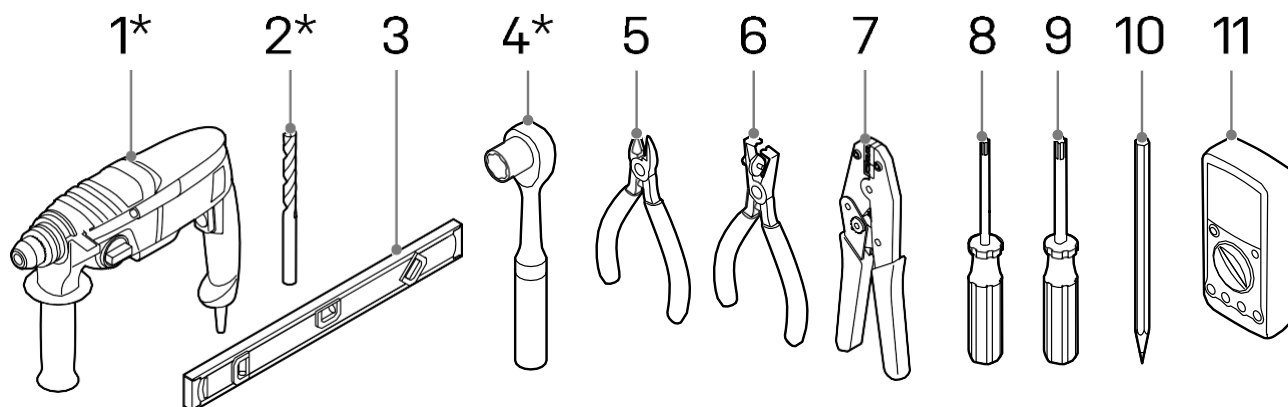
\* For the Peblar Pole Dual variant only.

Verify the content of the Pole Base package:



Number	Description	Size	Quantity
P12	Plate A	-	2
P13	Plate B	-	2
P14	Mounting bolt	M10x20	4

### 3.2 Required tools



Number	Description	Size
1	Power drill*	-
2	Drill bit*	10 mm
3	Spirit level	-
4	Hexagon socket drive (Pole) Hexagon socket drive (Pole Base)	13 mm 15 mm
5	Cable cutter	-
6	Wire stripper	-
7	Crimp tool for tubular cable lugs	6 mm <sup>2</sup> cable lug
8	Torx screwdriver	T20
9	Torx screwdriver	T25
10	Pencil	-
11	Measuring equipment for PE continuity check	-

\* For floor mount installations only.



### 3.3 Floor mount installation

Follow these steps only for floor mount Peblar Pole installations. For the Pole Base installation, continue to 3.4.

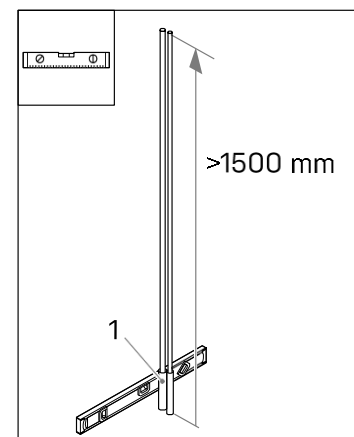
#### Step 1: Preparing the surface

- Prepare a flat and level concrete surface.
- Encase protective tubes (1) in the concrete for the cable routing of the mains power supply and data cables.

**Attention:** Keep a length of at least 1500 mm above the installation surface for the installation cables.

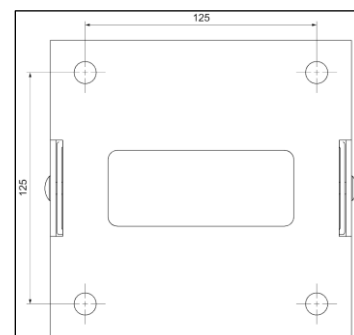
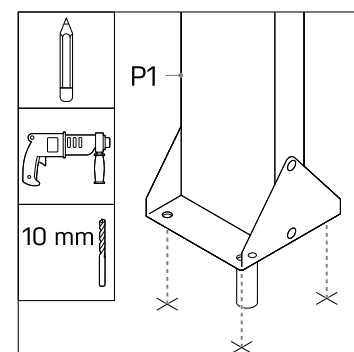


**WARNING:** Use installation cables that comply to the local installation requirements for underground installation of the mains power supply. The recommended cross-section for the Peblar Pole is 5x6 mm<sup>2</sup> or less.



#### Step 2: Drilling the holes

- Route the installation cables through the pole (P1) and place the pole over the protective tubes on the installation surface.
- Mark the four holes of the foot on the installation surface in a rectangular hole pattern of 125 x 125 mm.
- Remove the Peblar Pole.
- Drill four holes on the installation surface with a drill bit of 10 mm. Drill the holes 70 mm deep.

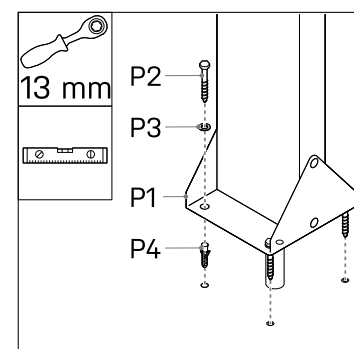


#### Step 3: Installing the pole

The plugs and screws in this step are only intended for installation on concrete surfaces.

- Insert the four plugs (P4) in the drilled holes.
- Route the installation cables through the pole (P1) and place the pole on the installation surface.

Mount the pole to the floor using the four bolts (P2) and plain washers (P3). Use a 13 mm hexagon socket drive for tightening the bolts.



### 3.4 Pole Base installation

Follow these steps only for the Peblar Pole installation on the Pole Base. For floor mount installations, refer to 3.3.

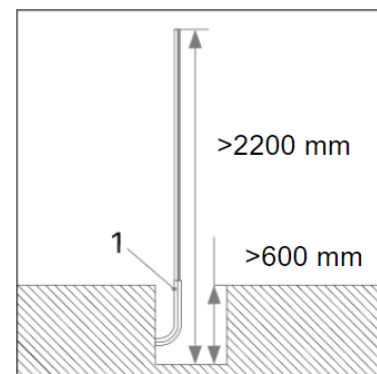
#### Step 1: Prepare a hole

- Prepare a hole at least 600 mm deep below top pavement level.
- Encase protective tubes (1) for the cable routing of the mains power supply and data cables.

**Attention:** Keep a cable length of at least 2200 mm from the bottom of the hole for the installation cables.

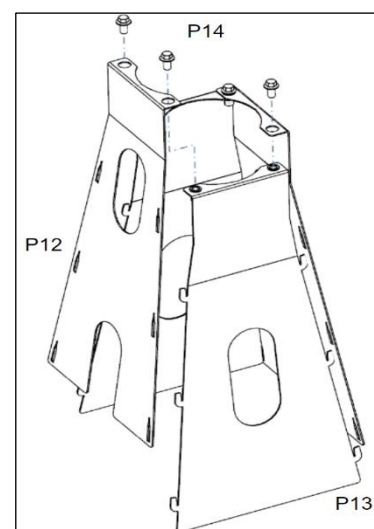
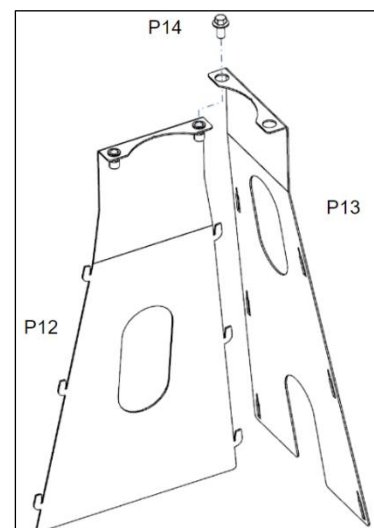


**WARNING:** Use installation cables that comply with the local installation requirements for underground installation of the mains power supply. The recommended cross-section for the Peblar Pole is 5x6 mm<sup>2</sup> or less.



#### Step 2: Assembling the Pole Base

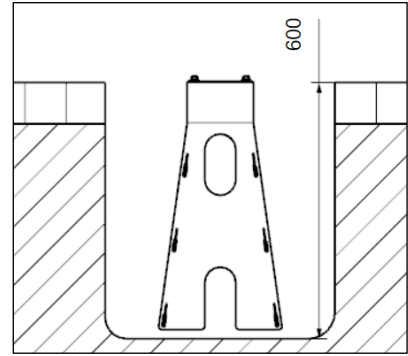
- Slide plate (P12) over (P13).
- Install screw (P14) loosely.
- Slide plate (P12) and (P13) onto the assembly.
- Install the screws (P14) loosely.



### Step 3: Installing the Pole Base

- Route the installation cables through the bottom of the Pole Base or the side openings depending on the installation cable depth.
- Place the Pole Base level in the hole, with the top flush with the pavement surface.
- Optionally, add mortar mix to stabilize the Pole Base, depending on the soil.
- Compact the soil in and around the Pole Base.

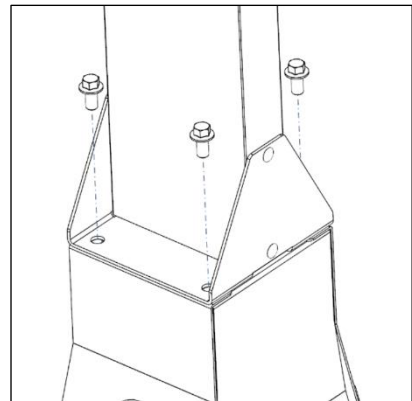
**Attention:** Make sure that the Pole Base is standing square and stable.



### Step 4: Installing the Peblar Pole

- Remove the 4 bolts (P14).
- Feed the installation cables through the pole.
- Mount the pole to the Base with the bolts (P14).
- Torque the bolts to 40 Nm. Use a 17 mm hexagon socket drive for tightening the bolts.

**Attention:** Make sure that the Pole Base is standing square and stable.



### 3.5 Peblar charger installation



**WARNING:** Check local installation standards for the regulations for providing protection against electric shock from the Peblar Pole. It is recommended to ground the Peblar Pole via the PE terminal inside the Peblar according to the following steps.

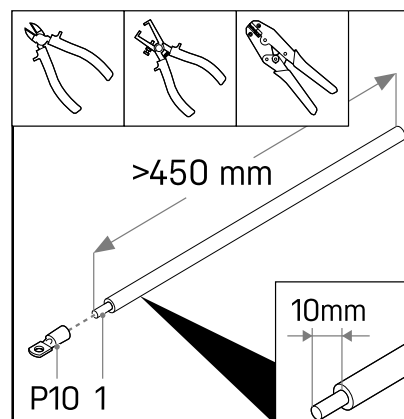
#### Step 1: Preparing PE wire

- Take a PE wire with a length of at least 450 mm.



**WARNING:** Use a tin plated copper stranded wire with a cross-section of 6 mm<sup>2</sup>.

- Strip the PE wire 10 mm at one end using a wire stripper (1).
- Crimp one cable lug (P10) on the stripped end of the PE wire (1).



#### Step 2: Preparing the Peblar Pole

- Assemble the mounting ring (1) to the Peblar Pole using the countersunk screw (P5). Use a T25 bit to fasten the screw (P5).
- Assemble the PE wire (2) to the Peblar Pole using the serrated washer (P8) and the flat head screw (P9). Use a T20 bit to fasten the screw (P9).



**WARNING:** Put the serrated washer in between the lug and the screw.



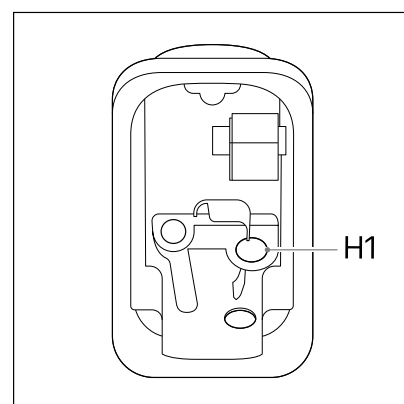
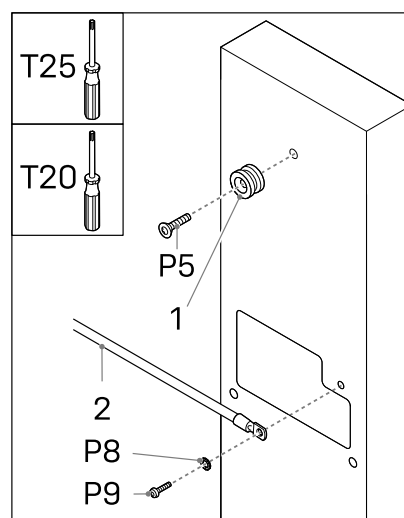
**WARNING:** Tighten the fasteners with a torque of 2 Nm.



**WARNING:** Be careful when tightening the screws. Use low rotation speed to prevent thread seizing of the stainless steel fasteners.

**Attention:** Make sure that the PE wire is oriented to the left as shown in the illustration.

- Before proceeding to the next step, follow the instructions of the Peblar charger installation manual to prepare the charger for installation.
- Follow the steps for back hole mains cable installation (H1).



### Step 3: Installing the charger

- Route the PE wire and data cables (**2**) through the peripheral grommet of the charger base.
- Route the mains cable (**3**) through the back hole of the charger base and seal with the grommet (**4**).
- Attach the base assembly to the mounting ring (**1**) and press down firmly.
- Mount the charger base to the pole using the washers (**P7**) and flat head screws (**P6**). Use a T25 bit to fasten the flat head screws (**P6**).

**Attention:** Tighten the fasteners with a torque of 2 Nm.

**Attention:** Be careful when tightening the screws. Use a low rotation speed to prevent thread seizing of the stainless steel fasteners.

- Attach the front assembly (**4**) to the charger base.
- Route the PE wire to the location of the PE screw (indicated with "PE") on the front assembly.

**Attention:** Make sure the PE wire is routed below and on the left side of the connector for the power cables (**5**).

- Cut the PE wire to length.
- Strip the PE wire 10 mm at the wire end.
- Crimp one cable lug (**P10**) on the stripped end of the PE wire.
- Fasten the PE wire, together with the PE wire for the charging cable or socket (**1**) to the PE hole of the front assembly, using the screw (**3**) and serrated washer (**2**) on the front assembly (**4**).

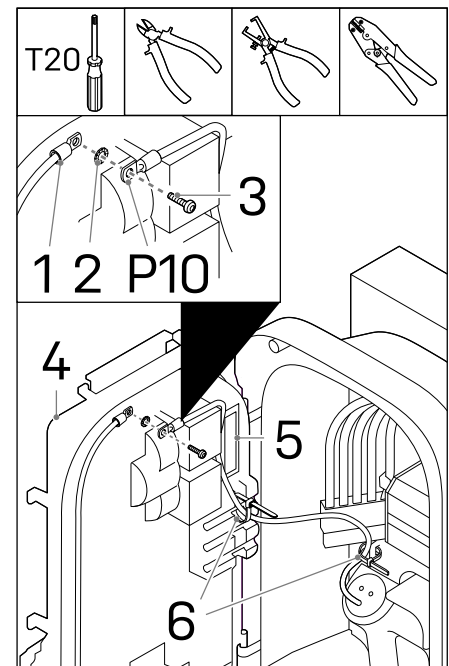
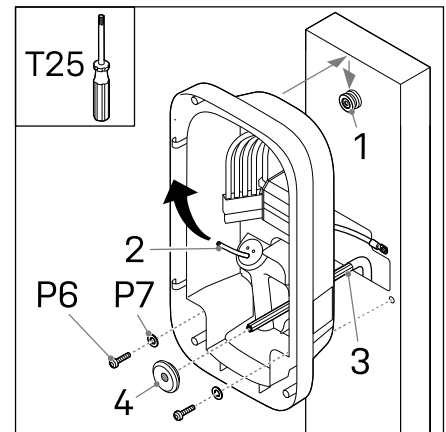


**WARNING:** Tighten the fasteners with a torque of 2 Nm.

- Fasten the PE wire to the charger base and front assembly using cable ties (**6**).



**WARNING:** Perform a PE continuity check, before proceeding with the charger installation.



Follow the instructions of the Peblar charger installation manual to complete the installation process.

## 4. Transportation, storage

**Attention:** Use the original packaging for transportation, handling, and storage of the Peblar Pole.

**Attention:** When moving, transporting, or storing the Peblar Pole, ensure that this is done within the following allowed temperature and humidity ranges:

Parameter	Specification
Ambient temperature	-40 °C to +85 °C
Relative humidity range	5% to 95%

## 5. Operation

**Attention:** Do not apply excessive force to the Peblar Pole.

**Attention:** Do not use the Peblar Pole for other purposes than the installation and operation of Peblar chargers. Do not install any other equipment in or on the pole.

**Attention:** When operating the Peblar Pole, ensure that this is done within the following allowed temperature and humidity ranges:

Parameter	Specification
Ambient temperature	-30 °C to +50 °C
Relative humidity range	5% to 95%

Follow the operation instructions of the Peblar charger.

## 6. Inspection, maintenance, and cleaning



**WARNING:** The Peblar Pole must only be maintained by trained and qualified personnel who have read this manual.



**WARNING:** The electrical supply to the Peblar charger(s) must be switched off before any maintenance work is undertaken.

**Attention:** Only clean the product with a dry cloth. Do not use aggressive cleaning substances. Do not use a pressure washer.

Although the Peblar Pole is made from durable materials with a strong powder coating that provides excellent resistance to corrosion, the lifetime of the product is not infinite. Inspect the product on a regular basis and repair or dispose the product when it is not safe to use anymore.

## 7. Dismantling, disabling, and disposing



**WARNING:** The Peblar Pole must only be dismantled by trained and qualified personnel who have read this manual.



**WARNING:** The electrical supply to the Peblar charger(s) must be switched off before the Peblar Pole and Pole Base are dismantled. Follow the decommissioning procedure of the Peblar charger(s) according to the manual of the charger.

Follow the local regulations to properly dispose the Peblar Pole and the Pole Base.

Do not dispose this product in household waste. Instead, dispose this product at a local collection point for metal waste to enable recycling and thus avoid negative and hazardous impacts on the environment. Ask the municipality or local authorities for their respective addresses.

Recycling saves raw materials and energy and makes a major contribution to conserving the environment.

## 8. Appendix A: Glossary

Abbreviation / Unit	Description
AC	Alternating current
PE	Protective earth
°C	Degrees Celsius
mm	Millimeter
Nm	Newton meter

THE INFORMATION IN THIS DOCUMENT IS PROVIDED AS IS, AND MAY BE SUBJECTED TO CHANGE WITHOUT NOTICE.

While reasonable efforts are made to ensure the accuracy and completeness of the information, we make no warranties—express or implied—regarding its reliability, fitness for a particular purpose, or freedom from errors.

Refer to our General Terms and Conditions for full product and warranty conditions, available from your supplier or at <https://www.peblar.com/downloads>

All product names, trademarks, and slogans—registered or not—remain our intellectual property and may not be used without written permission. The use of third-party names, logos, or products is for reference only and does not imply endorsement or affiliation unless explicitly stated.

For support, contact [sales@peblar.com](mailto:sales@peblar.com)

© 2025 by Peblar. All rights reserved.

